



## AQ1L

### AlfaQ™ AHRI-certified plate heat exchanger

#### Applications

General heating and cooling duties.

#### Standard design

The plate heat exchanger consists of a pack of corrugated metal plates with portholes for the passage of the two fluids between which heat transfer will take place.

The plate pack is assembled between a fix frame plate and a movable pressure plate and compressed by tightening bolts. The plates are fitted with a gasket which seals the interplate channel and directs the fluids into alternate channels. The number of plates is determined by the flow rate, physical properties of the fluids, pressure drop and temperature program. The plate corrugations promote fluid turbulence and support the plates against differential pressure.

The plate and the pressure plate are suspended from an upper carrying bar and located by a lower guiding bar.

Connections are located in the frame plate or, if either or both fluids make more than a single pass within the unit, in the frame and pressure plates.

#### Typical capacities

##### Liquid flow rate

Up to 5 kg/s (80 gpm), depending on media, permitted pressure drop and temperature program.

##### Plate types

AQ1L, AQ1LD - double wall plates, AQ1LP

##### Frame types

FG

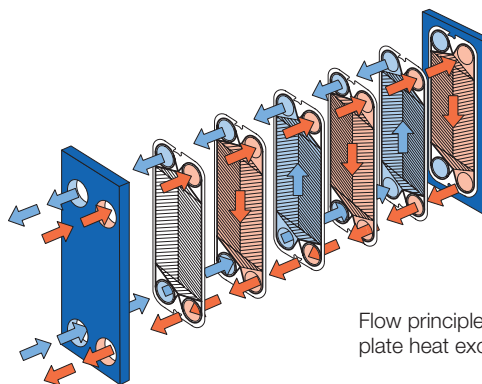
#### Working principle

Channels are formed between the plates and the corner ports are arranged so that the two media flow through alternate channels. The heat is transferred through the plate between the channels, and complete counter-current flow is created for highest possible efficiency. The corrugation of the plates provides the passage between the plates, supports each



AQ1L

plate against the adjacent one and enhances the turbulence, resulting in efficient heat transfer.



Flow principle of a plate heat exchanger

## STANDARD MATERIALS

### Frame plate

Mild steel, painted

### Nozzles

Pipe: Stainless steel, Titanium

### Plates

Stainless steel Alloy 316 / Alloy 304, Titanium

### Gaskets

Nitrile, EPDM

## TECHNICAL DATA

### Pressure vessel codes PED, ASME, pvcALS™

### Mechanical design pressure (g) / temperature

FG	pvcALS™	1.6MPa / 180°C
FG	PED	1.6MPa / 180°C
FG	ASME	150 psig / 356°F

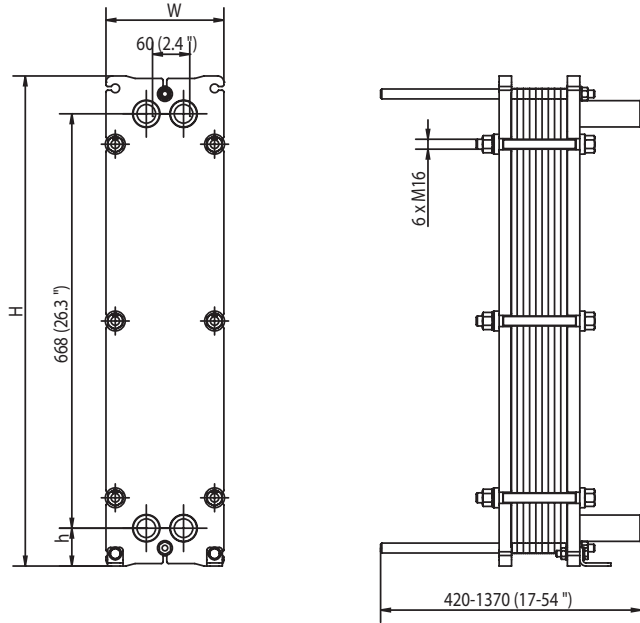
### Maximum heat transfer surface

10.9 m<sup>2</sup> (117.3 sq.ft)

## CONNECTIONS

FG	PED	Size 1¼"	Pipe, thread ISO-R 1¼"
FG	pvcALS™	Size 1¼"	Pipe, thread ISO-R 1¼" and NPT 1¼"
FG	ASME	Size 1¼"	Pipe, thread NPT

## Dimensions



### Measurements mm (inch)

Type	H	W	h
AQ1L-FG	790 (31.1")	190 (7.5")	61 (2.4")

### Particulars required for quotation

- Flow rates or heat load
- Temperature program
- Desired working pressure
- Maximum permitted pressure drop



ECF00363EN 1203

All rights reserved for changes in specifications

### How to contact Alfa Laval

Up-to-date Alfa Laval contact details for all countries are always available on our website at [www.alfalaval.com](http://www.alfalaval.com)

# GIAFLEX

GIA-S d.o.o., Industrijska cesta 5, 1290 Grosuplje, Slovenija  
 Telefon: +386 1 7865 300, Telefax: +386 1 7863 568,  
[info@gia.si](mailto:info@gia.si), [www.giaflex.com](http://www.giaflex.com)