

# Alfa Laval AQ14

## Gasketed plate heat exchanger for HVAC applications

### Introduction

Alfa Laval AlfaQ™ is AHRI Certified® through the Liquid to Liquid Heat Exchangers (LLHE) Certification Program which ensures thermal performance in accordance with the product specifications.

Designed for high throughput, this model delivers excellent thermal performance. A large selection of plate and gasket types is available.

### Applications

- HVAC

### Benefits

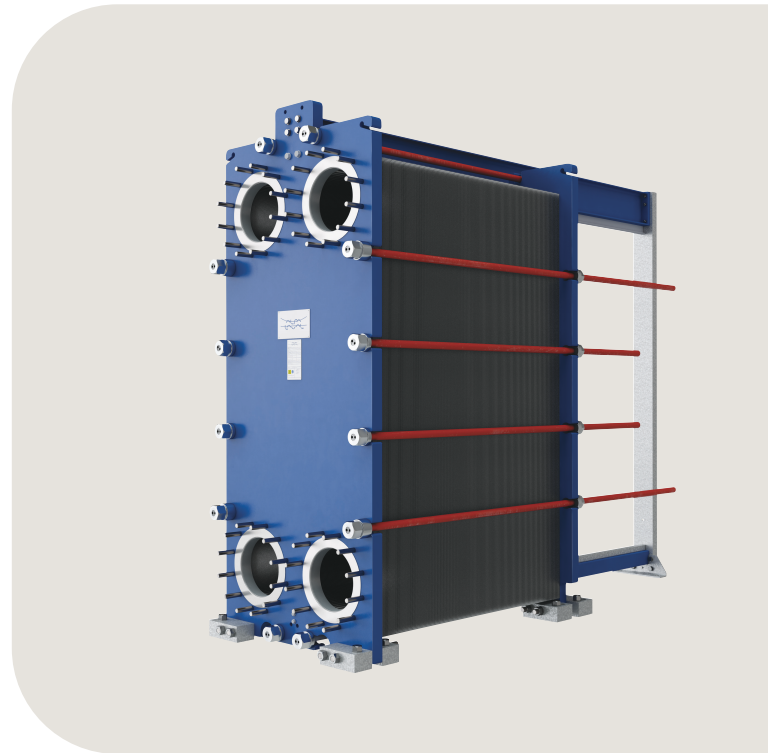
- High energy efficiency – low operating cost
- Flexible configuration – heat transfer area can be modified
- Easy to install – compact design
- High serviceability – easy to open for inspection and cleaning and easy to clean by CIP
- Access to Alfa Laval's global service network

### Features

Every detail is carefully designed to ensure optimal performance, maximum uptime and easy maintenance. Selection of available features, depending on configuration some features may not be applicable:



- Five-point alignment
- Reinforced hanger
- T-bar roller
- CurveFlow™ distribution area
- Glued gasket
- PowerArc™ plate pattern divider
- ClipGrip™ gasket attachment
- Offset gasket groove
- OmegaPort™ noncircular port holes
- Leak chamber
- Bearing boxes
- Fixed bolt head
- Key hole bolt opening
- Lifting lug
- Lining
- Lock washer
- Tightening bolt cover



### Alfa Laval 360° Service Portfolio

Our extensive service offering ensure top performance from your Alfa Laval equipment throughout its life cycle. The Alfa Laval 360 Service Portfolio include installation services, cleaning and repair as well as spare parts, technical documentation and trouble shooting. We also offer replacement, retrofit, integrity testing, monitoring and much more.

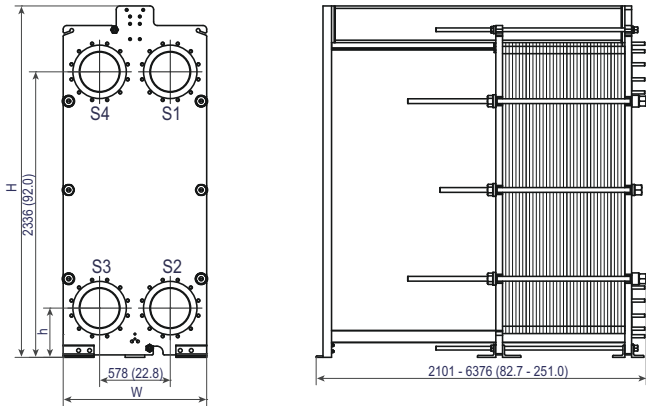
For information about our complete service offering and how to contact us - please visit [www.alfalaval.com/service](http://www.alfalaval.com/service).

## General remarks for technical information

- The global offering presented in this leaflet may not be available for all regions
- All combinations may not be configurable

## Dimensional drawing

Measurements mm (inches)



Frame type	H	W	h
FL, ALS	2875 (113.2")	1174 (46.2")	403 (15.9")
FM, ALS, PED, Marine	2875 (113.2")	1174 (46.2")	403 (15.9")
FG, ALS, ASME, PED	2875 (113.2")	1174 (46.2")	403 (15.9")
FD, ALS, ASME, PED	2875 (113.2")	1174 (46.2")	403 (15.9")
FS, PED	2875 (113.2")	1174 (46.2")	403 (15.9")
FS, ASME	2875 (113.2")	1187 (46.7")	403 (15.9")

The number of tightening bolts may vary depending on pressure rating.

## Technical data

Plates	Type	Free channel, mm (inches)
T35-P	Single plate	3.4 (0.13)

## Materials

Heat transfer plates	304/304L, 316/316L, 904L, 254 C-276, C-2000 G-30 Ti, TiPd
Field gaskets	NBR, EPDM, FKM, HeatSeal
Flange connections	Carbon steel Metal lined: stainless steel, Alloy C-276, titanium
Frame and pressure plate	Carbon steel, epoxy painted

Other materials may be available on request

## Operational data

Frame type	Max. design pressure (barg/psig)	Max. design temperature (°C/°F)
FL, pvcALS	6.0/87	100/212
FM, pvcALS	10.3/150	120/248
FM, PED	10.3/150	180/356
FM, Marine <sup>1</sup>	10.0/145	100/212
FG, pvcALS	16.0/232	180/356
FG, ASME	10.3/150	250/482
FG, PED	16.0/232	180/356
FD, pvcALS	25.0/362	180/356
FD, ASME	20.7/300	250/482
FD, PED	25.0/362	180/356
FS, ASME	27.6/400	250/482
FS, PED	30.0/435	180/356

<sup>1</sup> Marine standard includes the standards: ABS, BV, CCS, ClassNK, DNV, KR, LR, RINA, and RMRS.

Extended pressure and temperature rating may be available on request.

## Flange connections

Frame type	Connection standard
FL, pvcALS	EN 1092-1 DN300 PN10
	EN 1092-1 DN350 PN10
	ASME B16.5 Class 150 NPS 12
	ASME B16.5 Class 150 NPS 14
	JIS B2220 10K 300A JIS B2220 10K 350A
FM, pvcALS	EN 1092-1 DN300 PN10
	EN 1092-1 DN350 PN10
	ASME B16.5 Class 150 NPS 12
	ASME B16.5 Class 150 NPS 14
FM, PED	JIS B2220 10K 300A JIS B2220 10K 350A
	EN 1092-1 DN300 PN10
	EN 1092-1 DN350 PN10
FM, Marine <sup>1</sup>	ASME B16.5 Class 150 NPS 12
	ASME B16.5 Class 150 NPS 14
	EN 1092-1 DN300 PN10
	EN 1092-1 DN350 PN10
FG, pvcALS	ASME B16.5 Class 150 NPS 6
	JIS B2220 10K 300A JIS B2220 10K 350A
	EN 1092-1 DN300 PN16
	EN 1092-1 DN350 PN16
	ASME B16.5 Class 150 NPS 12 ASME B16.5 Class 150 NPS 14
FG, ASME	JIS B2220 16K 300A JIS B2220 16K 350A
	ASME B16.5 Class 150 NPS 12
	ASME B16.5 Class 150 NPS 14
FG, PED	EN 1092-1 DN300 PN16
	EN 1092-1 DN350 PN16
	ASME B16.5 Class 150 NPS 12
	ASME B16.5 Class 150 NPS 14
FD, pvcALS	EN 1092-1 DN300 PN25
	EN 1092-1 DN350 PN25
	ASME B16.5 Class 300 NPS 12
	ASME B16.5 Class 300 NPS 14
	JIS B2220 20K 300A JIS B2220 20K 350A
FD, ASME	ASME B16.5 Class 300 NPS 12
	ASME B16.5 Class 300 NPS 14
FD, PED	EN 1092-1 DN300 PN25
	EN 1092-1 DN350 PN25
	ASME B16.5 Class 300 NPS 12
FS, ASME	ASME B16.5 Class 400 NPS 12
	ASME B16.5 Class 400 NPS 14
FS, PED	ASME B16.5 Class 300 NPS 12
	ASME B16.5 Class 300 NPS 14
	ASME B16.5 Class 400 NPS 12
	ASME B16.5 Class 400 NPS 14

<sup>1</sup> Marine includes the standards: ABS, BV, CCS, DNV, ClassNK, KR, LR, RINA, and RMRS.

Standard EN1092-1 corresponds to GOST 12815-80 and GB/T 9115.

## Certificates



This document and its contents are subject to copyrights and other intellectual property rights owned by Alfa Laval Corporate AB. No part of this document may be copied, re-produced or transmitted in any form or by any means, or for any purpose, without Alfa Laval Corporate AB's prior express written permission. Information and services provided in this document are made as a benefit and service to the user, and no representations or warranties are made about the accuracy or suitability of this information and these services for any purpose. All rights are reserved.

CHE00133-5-EN-GB

© Alfa Laval Corporate AB

---

**How to contact Alfa Laval**

Up-to-date Alfa Laval contact details for all countries are always available on our website at [www.alfalaval.com](http://www.alfalaval.com)