

## Alfa Laval CB300AQ

### AHRI Certified® brazed plate heat exchanger

Alfa Laval CBAQ is AHRI Certified® through the Liquid to Liquid Brazed & Fusion-bonded Plate Heat Exchangers (LLBF) Certification Program which ensures thermal performance in accordance with the product specifications.

Alfa Laval CB brazed plate heat exchangers provide efficient heat transfer with a small footprint.

#### Applications

- HVAC heating and cooling
- Refrigeration
- Industrial heating and cooling

#### Benefits

- Compact
- Easy to install
- Self-cleaning
- Low level of service and maintenance is required
- All units are pressure and leak tested
- Gasket free

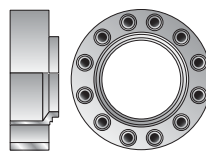
#### Design

The brazing material seals and holds the plates together at the contact points ensuring optimal heat transfer efficiency and pressure resistance. Using advanced design technologies and extensive verification guarantees the highest performance and longest possible service life.

Based on standard components and a modular concept, each unit is custom-built to meet the specific requirements of each individual installation.



#### Examples of connections



Compact flange

## Technical Data

### Standard materials

Cover plates	Stainless steel
Plates	Stainless steel
Brazing filler	Copper

### Dimensions and weight<sup>1</sup>

A measure (mm)	11 + (2.62 * n)
A measure (inches)	0.43 + (0.1 * n)
Weight (kg) <sup>2</sup>	21 + (1.26 * n)
Weight (lb) <sup>2</sup>	46.3 + (2.78 * n)

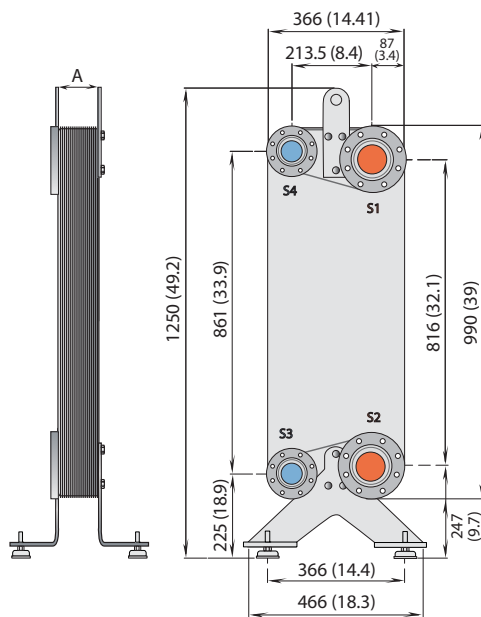
- n = number of plates
- Excluding connections

### Standard data

Volume per channel, litres (gal)	(S1-S2): 0.69 (0.18) (S3-S4): 0.58 (0.15)
Max. particle size, mm (inch)	1.8 (0.07)
Max. flowrate <sup>1</sup> m <sup>3</sup> /h (gpm)	200 (880)
Flow direction	Parallel
Min. number of plates	10
Max. number of plates	250
1. Water at 5 m/s (16.4 ft/s) (connection velocity)	

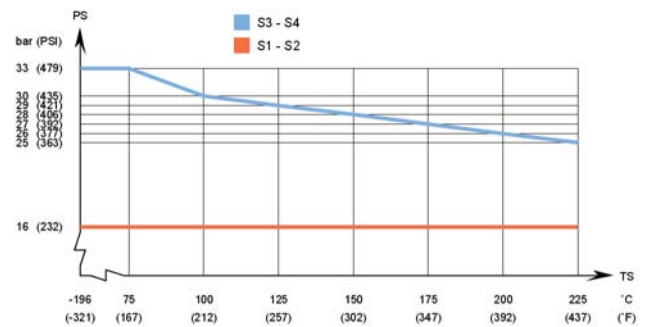
## Dimensional drawing

Measurements in mm (inches)

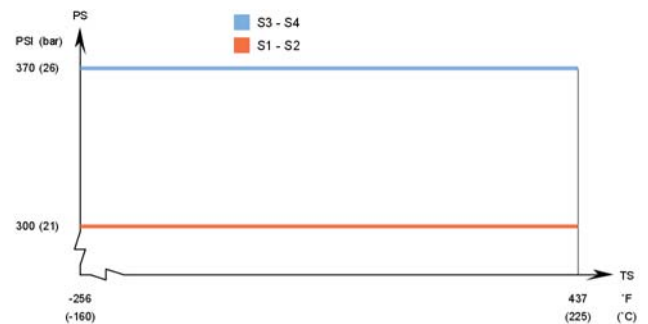


## Design pressure and temperature

### CB300AQ – PED approval pressure/temperature graph



### CB300AQ – UL approval pressure/temperature graph



Designed for full vacuum.

Alfa Laval plate heat exchangers are available with a wide range of pressure vessel approvals. Please contact your Alfa Laval representative for more information.

**NOTE:** Values above are to be used as an indication. For exact values, please use the drawing generated by the Alfa Laval configurator or contact your local Alfa Laval representative.

### Certificates



CHE00143EN 2016-08

Alfa Laval reserves the right to change specifications without prior notification.

### How to contact Alfa Laval

Contact details for all countries are continually updated on our website. Please visit [www.alfalaval.com](http://www.alfalaval.com) to access the information direct.

# GIAFLEX

GIA-S d.o.o., Industrijska cesta 5, 1290 Grosuplje, Slovenija  
 Telefon: +386 1 7865 300, Telefax: +386 1 7863 568,  
 info@gia.si, [www.giaflex.com](http://www.giaflex.com)